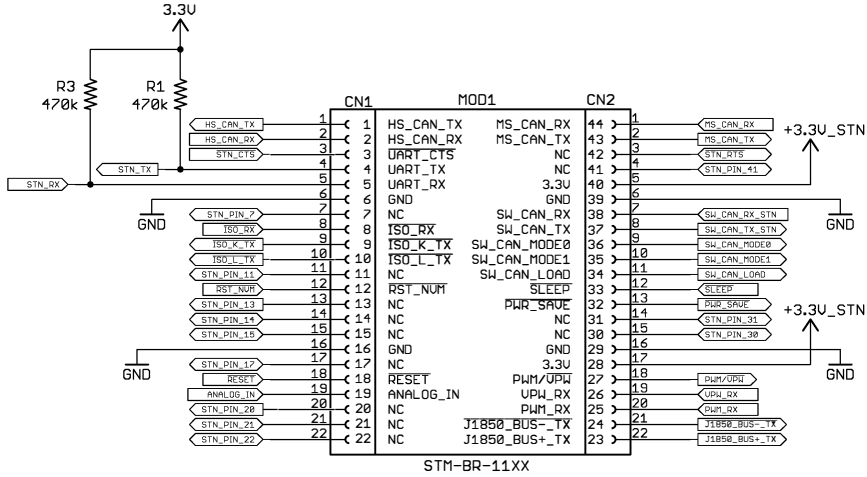
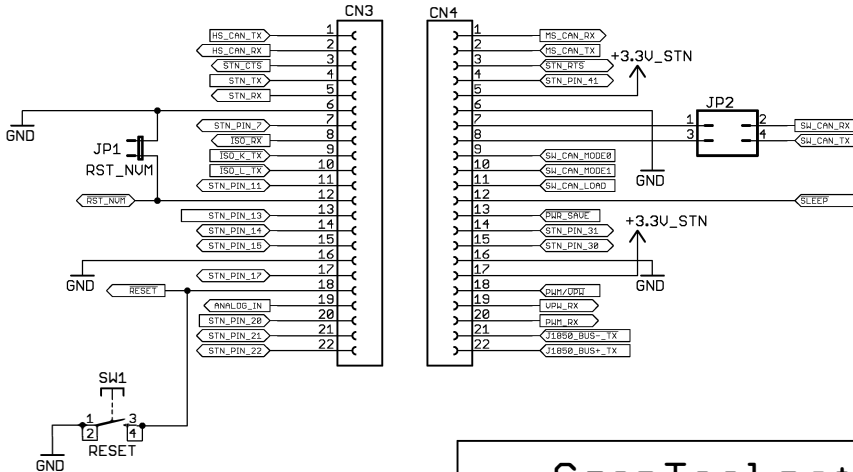


# STN Pin Breakout Module



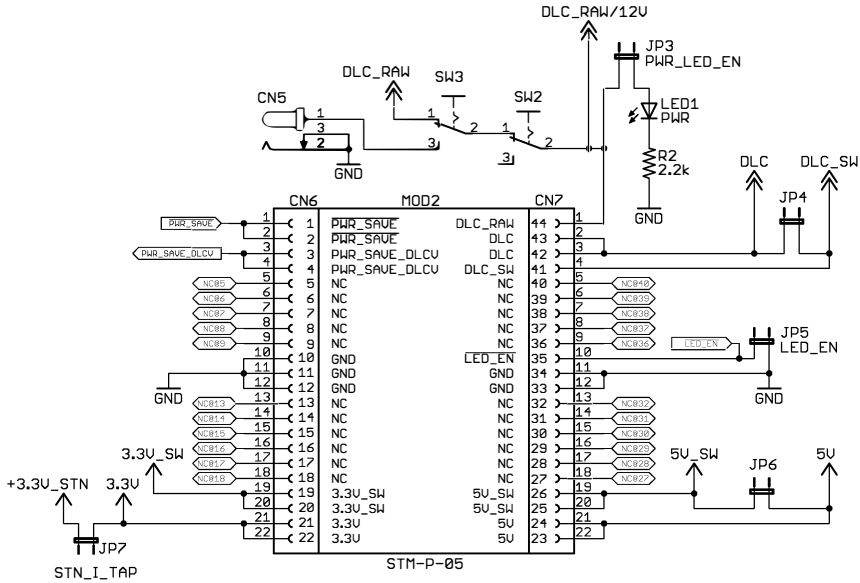
## STN Breakout Pins



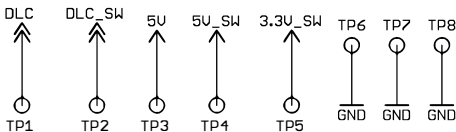
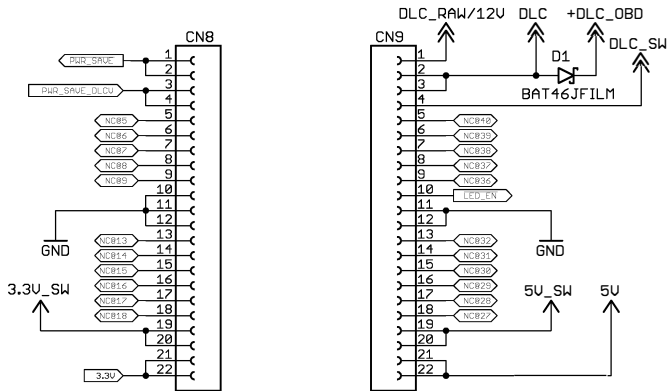
ScanTool.net LLC

Title:	OBID Interconnect Development Board	Rev:	1.6/G
Description:	OBID Interconnect Development Board		
Date:	7/19/2017 3:52 PM	Sheet:	1/5

# Power Module



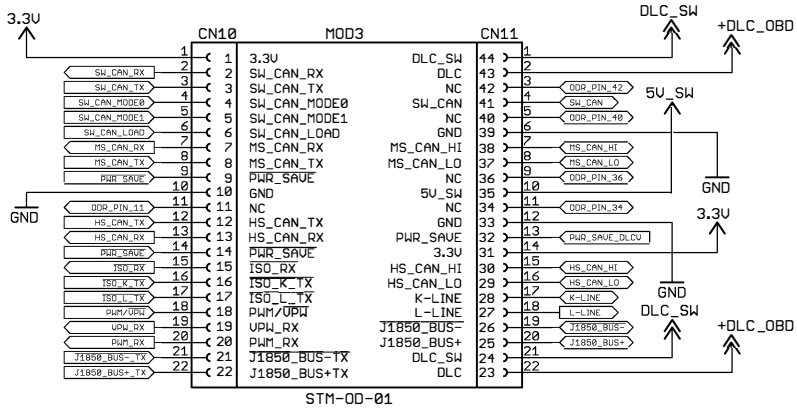
# Power Module Breakout Pins



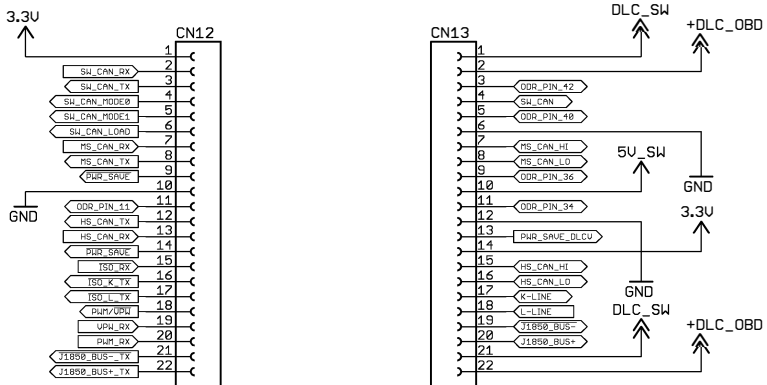
## ScanTool.net LLC

Title: OBD Interconnect Development Board		Rev: 1.6/G
Description: OBD Interconnect Development Board		
Date: 7/19/2017 3:52 PM		Sheet: 2/5

# Driver Module



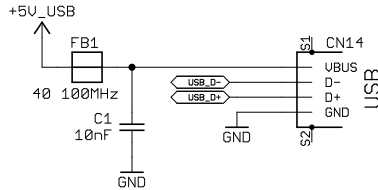
## Driver Module Breakout Pins



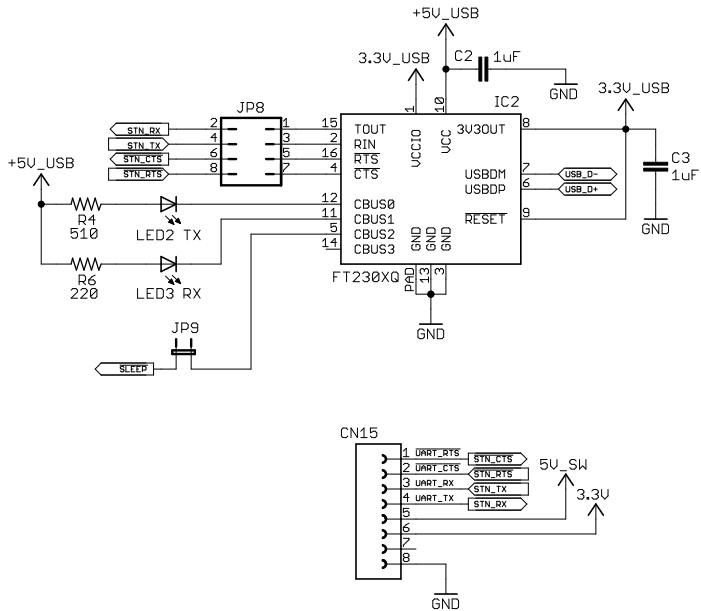
## ScanTool.net LLC

Title: OBD Interconnect Development Board		Rev: 1.6/G
Description: OBD Interconnect Development Board		
Date: 7/19/2017 3:52 PM	Sheet: 3/5	

# USB Connector & Filter



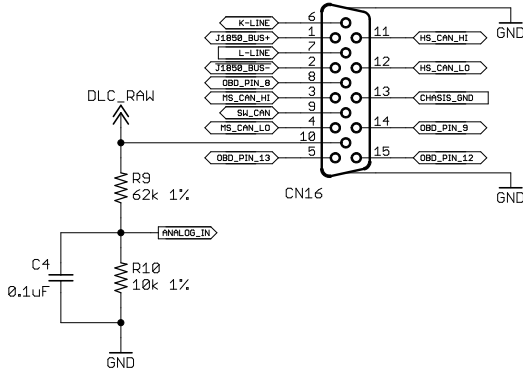
# USB Transceiver



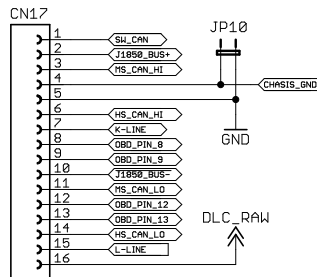
## ScanTool.net LLC

Title:	0BD Interconnect Development Board	Rev:	1.6/G
Description:	0BD Interconnect Development Board		
Date:	7/19/2017 3:52 PM	Sheet:	4/5

# OBD Connector



# OBD Breakout Header



ScanTool.net LLC

Title:	OBD Interconnect Development Board	Rev:	1.6/G
Description:	OBD Interconnect Development Board		
Date:	7/19/2017 3:52 PM	Sheet:	5/5