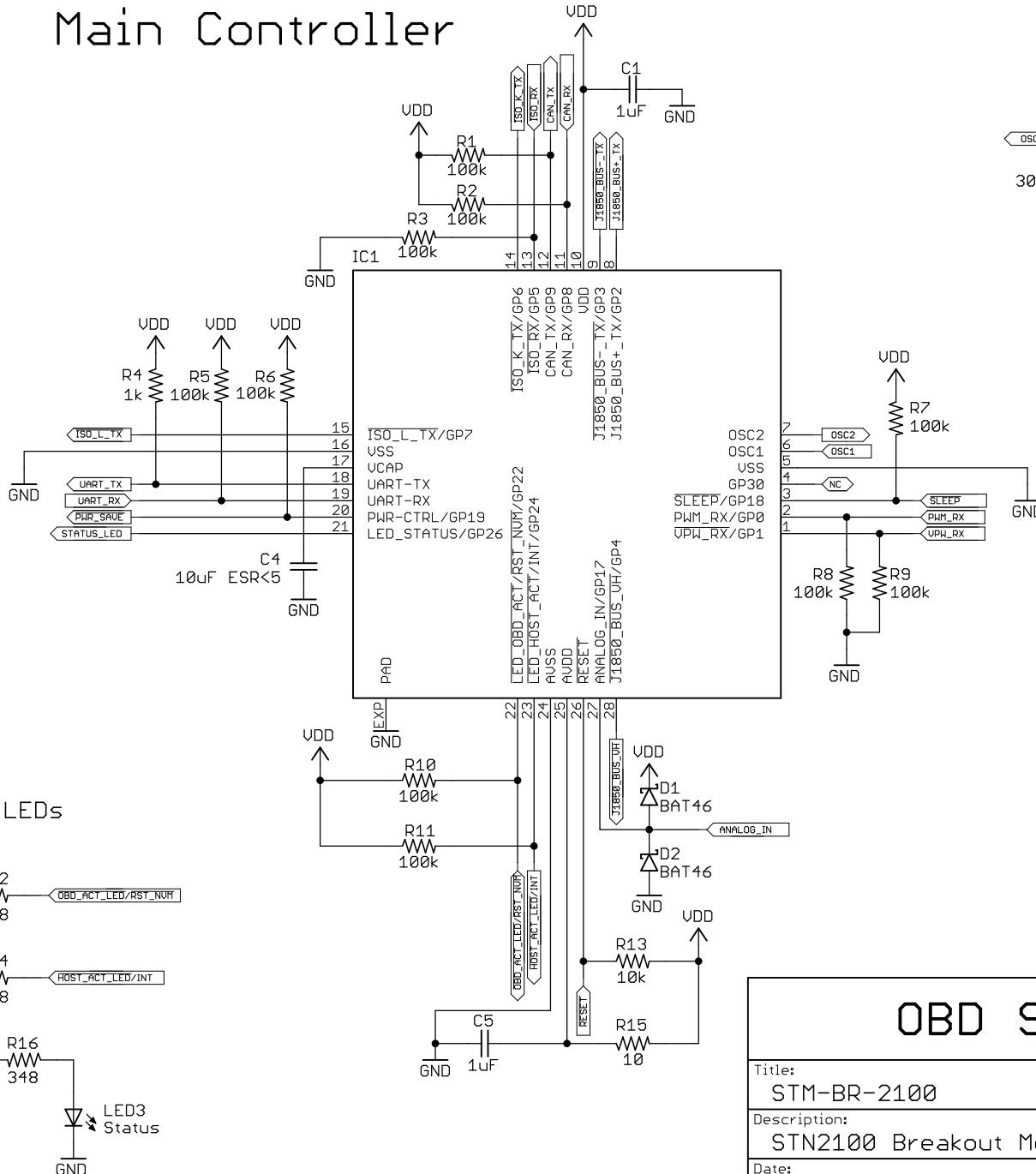
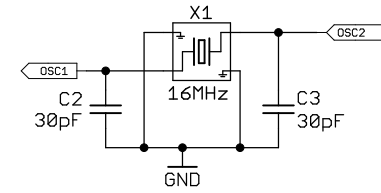
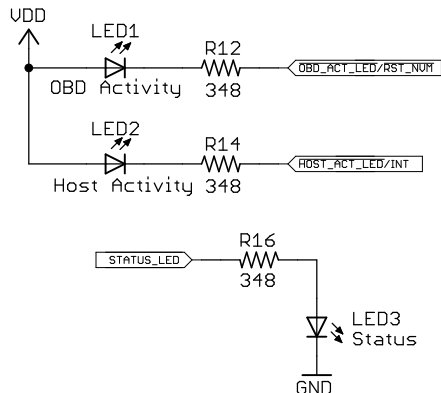


Main Controller

Crystal



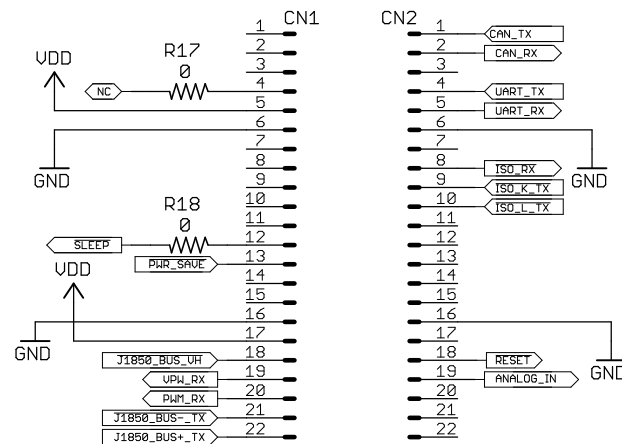
Status LEDs



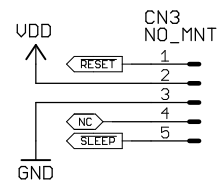
OBD Solutions

Title: STM-BR-2100	Rev: 1.0/A
Description: STN2100 Breakout Module	
Date: 5/11/2018 3:45:40 PM	Sheet: 1/2

STN Pin Breakout



ICSP



ScanTool.net LLC

Title: STM-BR-2100	Rev: 1.0/A
Description: STN2100 Breakout Module	
Date: 5/11/2018 3:45:40 PM	Sheet: 2/2